

LITHEAUDIO®

 Bluetooth® CEILING SPEAKER

INSTRUCTION MANUAL

SUPPORT VIDEOS & TO REGISTER YOUR SPEAKER:

[SUPPORT.LITHEAUDIO.COM](https://support.litheaudio.com)



INSTALLATION WARNING

Before commencing any electrical work to avoid the risk of electric shock locate and remove fuse or lock circuit breaker in the **POWER OFF** position before proceeding. Test the power is OFF before wiring. Wiring with the power on can result in serious personal injury, fire and death.

WARNING: If you are unsure about any part of these instructions, please consult an electrician. **IMPORTANT NOTES CODES:** Before use please read completely the safety instructions and installed and/or used in accordance with all local and national electrical codes and regulations or latest edition of IEE regulations (BS 7671) in the UK.

BREAKER: Proper short-circuit and overload protection must be provided at the distribution panel. Up to a 10 A maximum circuit breaker/MCB may be used (with adequate short-circuit breaking capacity for your installation) if used in conjunction with lighting circuit, OR dedicated circuit for speakers, a 3 A maximum circuit breaker/MCB may be used.

If the unit is to be used as a replacement for an existing product, remove the existing unit from its location and disconnect the wiring. Connect the wires correctly in the power driver. Ensure terminals are properly tightened and ensure no bare wires are visible. When fitting the speaker into the ceiling, ensure no wires are trapped.

NOTE: To meet US local and national NEC code, for these types of installations you will need contact your local contractor for installation. Please visit support.litheaudio.com for latest installation guides/updates.

READ THE INSTRUCTIONS CAREFULLY BEFORE STARTING THE INSTALLATION PROCESS AND KEEP THEM SAFE FOR FUTURE REFERENCE.

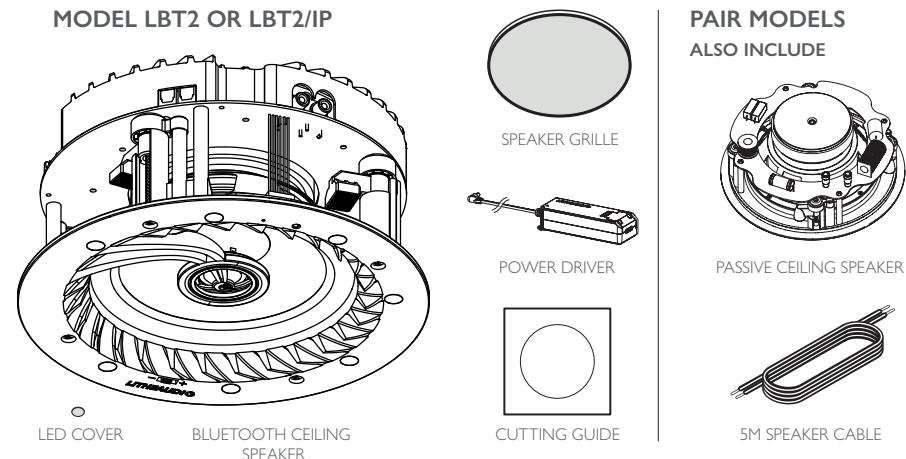
- Failure to follow the instructions in this guide voids all warranties on your speakers.
- Warning: Do not use the product in water.
- Warning: Do not install speaker directly above any heat sources such as radiators, or other apparatus that produce heat.
- Warning: To reduce the risk of fire or electric shock, do not expose this speaker to rain or moisture (directly above bath or shower area) or in Bathroom Zone 0 or Zone 1.
- Protect the power cable from being damaged, do not over stretch cable.
- Only use attachments/accessories specified by the manufacturer Lithe Audio.
- Turn off the power to the speaker when unused for long periods of time.
- A Fire and Acoustic speaker hood must be used in accordance with local and national electrical codes and regulations. For the UK, building and IEE Regulations with a fire rating of up to 60 minutes, is Parts B, L, C and E compliant.
- Do not open the back cover to the speaker as this protects the PCB, doing so will invalidate the warranty and could cause electric shock.
- Ensure speaker location is free from obstructions such as electrical conduit, HVAC ducts or Water lines.

BOX CONTENTS

Please ensure you read the entire instruction manual carefully before you commence any work. Carefully unpack the speakers from the packaging. Please check to ensure all the parts shown below are included.

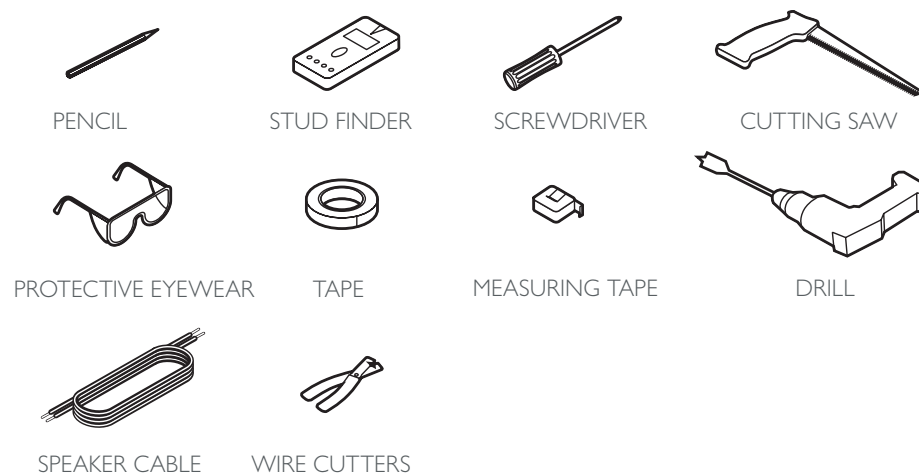
If any parts of the speaker appear damaged, please contact your dealer/reseller immediately or contact support@litheaudio.com for contact details.

MODEL LBT2 OR LBT2/IP



PREPARATION EQUIPMENT YOU WILL NEED

Listed below is the hardware equipment needed to install the speaker, with the addition of a ladder to ensure the installation is done safely. A cutting template is included in the box.



KNOW YOUR SPEAKER

The Lithe Audio LBT2 range of Bluetooth ceiling wireless speakers have various inputs:

SPEAKER OUTPUT - To connect one additional passive (Slave) speaker (Gold Plated)

LITHE-LINK™ - Connect 2 additional LBT speakers (Total 3 masters & 3 passives)

RCA INPUTS - To connect directly from TV Output, Amazon echo, projector etc..

POWER INPUT - To connect (as supplied) Through Power driver

Connection Reset Button

LED indicator

Magnets for Cover (8)

Environmental equalizer
(+/- 3db)

Power input 24V/2.5A

Stereo / Mono selector

50% Volume cap switch

Lithe Link connections

Built-in Amplifier
& Bluetooth 5.0

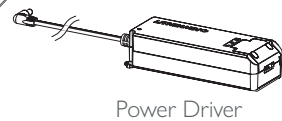
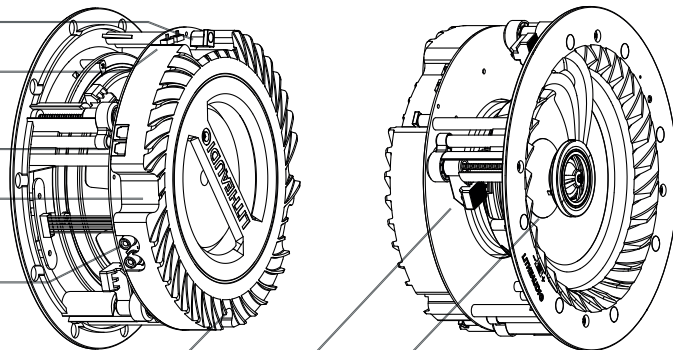
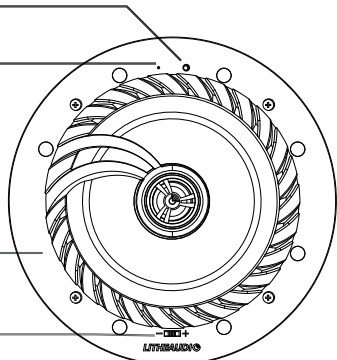
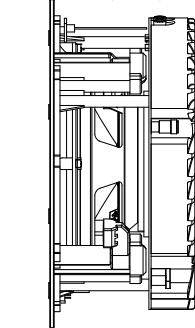
RCA Input
RCA-(Black) RCA+(Red)

Speaker output
R+ (Red) R- (Black)

Dog leg easy install fixings (4)

6.5" (165mm) Woofer cone

Requires a in ceiling depth of
3.8" (95mm)



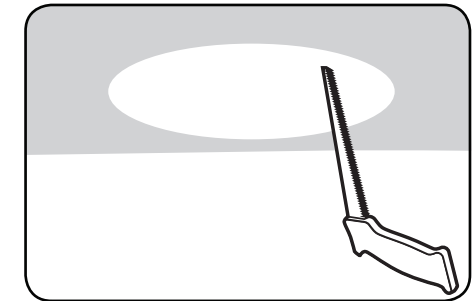
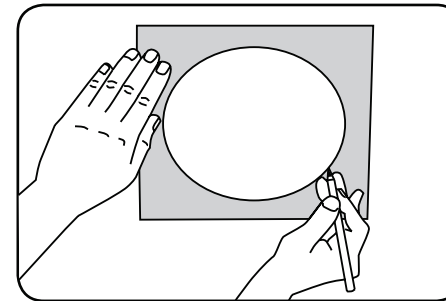
In built over voltage, under voltage, over temperature, and short circuit protection, if there is an electrical fault, the power supply to the amplifier will cut off automatically and restart when the speaker has stabilised.

INSTALLATION

IMPORTANT: BEFORE COMMENCING ANY ELECTRICAL WORK ENSURE THE SUPPLY IS SWITCHED OFF AT THE MAINS. IF YOU ARE UNSURE HOW TO FIT SEEK HELP FROM A PROFESSIONAL ELECTRICIAN/AV INSTALLER

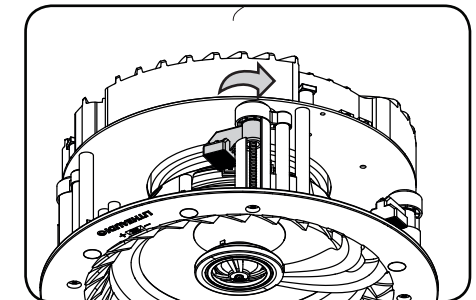
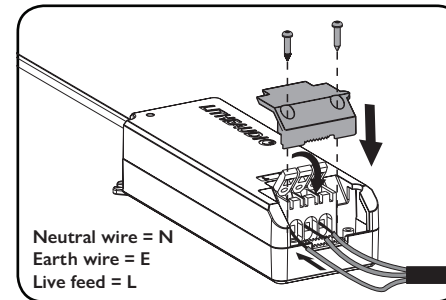
1. Mark out the position of the speaker using a tape measure and mark using a pencil with the template supplied. Check using a stud finder to make sure no obstruction is present prior to cutting.

2. Drill a pilot hole and cut the speaker hole using a cutting saw. **Take caution when cutting to keep fingers away from cutting blade and wear protective eyewear.**



3. Connect a 110V/240V feed into the Power Driver. Check Live, Neutral and Earth cables are in correct terminals. Use fixing holes to screw to joists. Ensure cables are tight and cover is in place.

4. Insert speaker into the ceiling then using a screwdriver lock the 4 dog leg fixings to secure the speaker in place, do not over tighten. Attach the magnetic grille to the speaker front.



PAINTING THE SPEAKER GRILLE

Do not paint the speaker grilles whilst attached to the speaker. Lithe Audio recommends spray painting using 5 parts thinning agent to 1 part paint. Spray thinly to ensure speaker cover grille holes are not blocked as this will effect the sound quality of the speakers.

INSTALLATIONS IN FIRE-RATED CEILINGS

If you plan to mount your speakers in a fire-rated ceiling, you should purchase a fire hood for the speaker. Visit www.litheaudio.com for more information and recommended hoods.

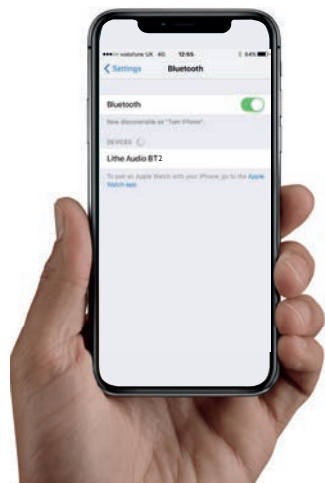
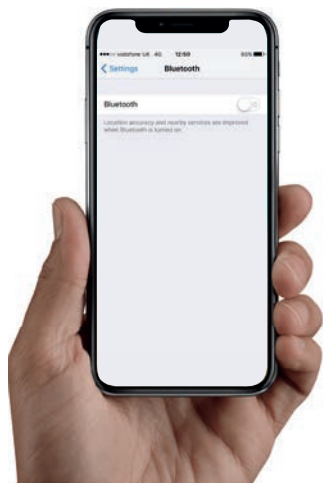
SETUP AND PAIRING

NOTE: ENSURE THE BLUETOOTH WIRELESS SPEAKER IS CONNECTED TO THE POWER SUPPLY AND TURNED ON.

The Led indicator will flash Blue when ready to pair, turn solid Blue whilst the device is connected to the speaker and music is playing

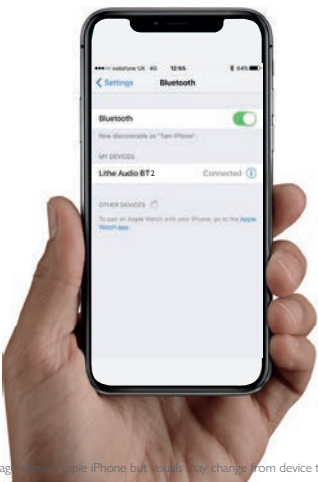
1. Open the setting menu and select Bluetooth

2. Turn on Bluetooth and search devices



3. Click Lithe Audio BT2 to connect and pair to the speaker.

4. Open your phone camera and scan the below QR code to download the Setup App to change speaker name or add a pin:



BLUETOOTH SETUP APP



Do you have multiple Bluetooth speakers in your home? Use the Lithe Audio setup App to identify each speaker easily, by giving each zone a unique name and password. Configure the speaker to work with Amazon Alexa, Google home or TV's wirelessly. For more information visit:

www.litheaudio.com/bluetooth-5-setup-app.html

HARD WIRED INPUT - RCA INPUT

To connect other devices that may not have a Bluetooth connection (such as Turn tables, CD players, mp4 player or mini-discs!)

RCA CONNECTION: To play music via speaker RCA connection connect an RCA cable to the speaker and play through your device. Ensure ALL Bluetooth connections are turned off to be able to play through the speaker. The LED will turn green when playing using RCA.

PLAYBACK MODES

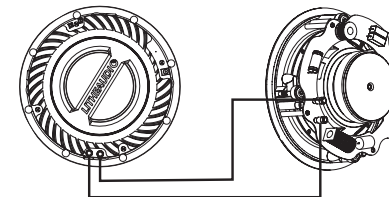
To cycle between the playback modes press the 'Connection Button' under the grill to change the mode between them.

1. AUTOMATIC MODE: (Flashing Blue) RCA is priority, then Bluetooth then Optical.
2. BLUETOOTH ONLY MODE: (Flashing Blue): RCA and Optical are disabled
3. RCA ONLY MODE: (Flashing Green): Bluetooth and Optical are disabled
4. OPTICAL MODE: (Solid Blue): Bluetooth and RCA are disabled.

ADDITIONAL SPEAKER - OPTIONAL

PLEASE NOTE: LBT1 DOES NOT INCLUDE PASSIVE SPEAKER

The Lithe Audio Master Bluetooth ceiling speaker is able to connect to and power an additional passive speaker via the speaker output (+/-). Use wire cutters to strip the ends of the speaker cable (if required).

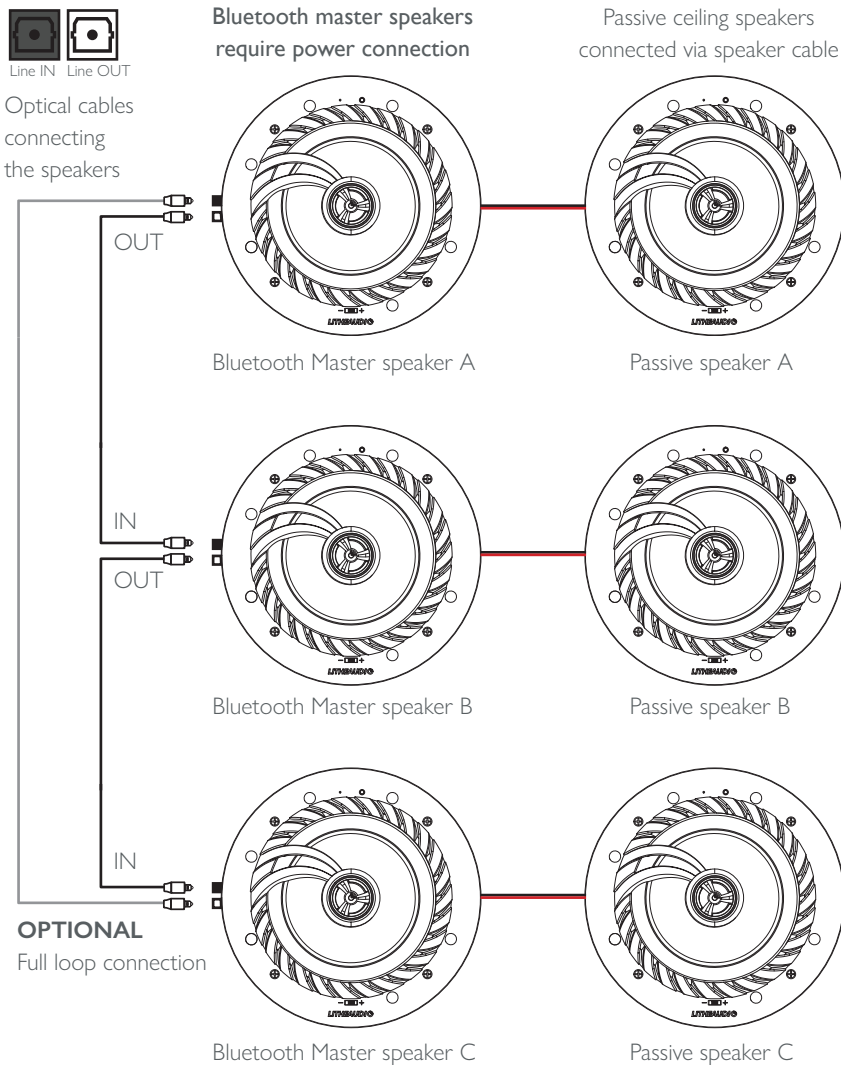


This setup is ideal for Kitchen diners or larger rooms where you want a true stereo setup.

LITHE-LINK™ SETUP

For larger or open plan rooms the Lithe-link feature will allow you to connect up to 3 master speakers and their passive/slaves and play audio from all the speakers at once. Depending on which master speaker you connect to and how the speakers are wired will then determine how many speakers will play.

To connect the speakers you will need an optical cable. Lithe-Link Kit sold separately. Connect one end to the White connector block and the other to the Black connector block.



SETUP WITH FULL LOOP CONNECTION

Adding a connection between the first and last master speaker will create a full loop system. When connected which ever master speaker you connect to, all the masters and their passive speakers will play. This will ensure in a large room you will always be in range to a speaker to connect to.

This setup is ideal for open plan rooms where you always want all speakers to play at once.

SETUP WITH OUT FULL LOOP CONNECTION

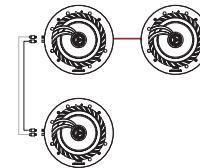
This configuration will allow you to play only the speaker you connect to and the masters and passives connect after it with the link cable. For Example, if you have a 6 speaker setup and you connect to Speaker A then speakers A, B and C will play. If you connect to Speaker B then only speaker B and C will play. Connect to Speaker C then only Speaker C will play.

This set up is ideal for a floorplan with multiple areas or rooms where you may not always want to play the whole area at once.

LITHE-LINK SPEAKER SETUP OPTIONS

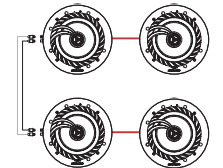
3 SPEAKER SETUP

You will need 2 master speakers and 1 passive speaker.



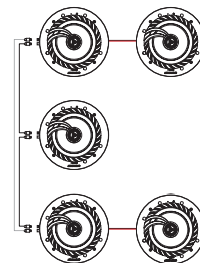
4 SPEAKER SETUP

You will need 2 master speakers and 2 passive speakers.



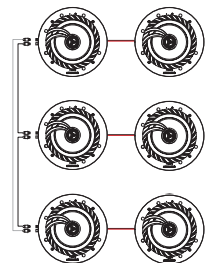
5 SPEAKER SETUP

You will need 3 master speakers and 2 passive speakers.



6 SPEAKER SETUP

You will need 3 master speakers and 3 passive speakers.



STEREO / MONO SELECTOR

If using a secondary passive speaker you can select if the music is played in Stereo (left and right channels) or in Bridged Mono (single channel). Use the switch on the back of the speaker to select Stereo or Mono output.

VOLUME CAPPING SWITCH

If installing in a hotel room or commercial space you may wish to cap the volume at 50%. Using the Volume capping switch on the back of the speaker you can select either 100% or 50% max volume output.

LED INDICATOR COVER

To mask the LED indicator, use the LED cover sticker included

CONNECTION RESET BUTTON

Press and hold the 'Reset Button' for 10 seconds to clear the connection memory. All paired devices will be deleted.

SPECIFICATIONS

- Sound Quality THD+N<0.009%, 55Hz-20kHz
- RMS Power: 50W RMS
- Impedance: 8 Ohms
- Sensitivity (1W/1m): 90dB
- Audio Sample Rate: 8KHz
- Line In Analog (RCA), auto-detecting
- Type: Class D (Digital)
- Woofer: 6.5" Glass fibre Woven / Polypropylene Cone
- Tweeter: 0.75" Titanium Cone
- Bluetooth System: Bluetooth 5.0
- Aptx - Low Latency
- Frequency Range: 2.4GHz - 2.4832GHz (ISM Band)
- RF Channels: 79 (USA, Japan & EU)
- Wireless Range: Up to 30 metres
- ID Device Name: Lithe Audio BT2
- Power Input Supply : 100 - 240V~ 50/60Hz
- Transformer Output Supply : DC24V / 2.5A
- Dimensions (W x D) 230 x 97mm (6.5 x 3.8 in)
- Weight 1.75kg (3.85 lbs)
- IP rating: IP44 (Model: LBT2/IP)
- Operating Temperature 0° to 40° C (32° to 104° F)
- Storage Temperature -20° to 70° C (4° to 158° F)
- Standby power: 1.3W / 0.02A
- Connected power: 1.5W / 0.03A
- Playing Music: 2.8W - 10.5W / 0.03A - 0.09A**

* Specifications subject to change without notice.

** Power Consumption depends on the type of music & volume - Increased Bass & volume requires more power loading on the amplifier.

TROUBLESHOOTING

If a problem arises, please try the troubleshooting frequently asked guide below. If the problem is not listed please contact Lithe Audio Customer Service Support on support@litheaudio.com or Call +44 (0) 1293 922 015 (UK time 9-5pm) or visit support.litheaudio.com

Q: Speaker has not been found during setup

A: Please check power cord is correctly connected in to speaker and transformer, Check the blue light is flashing. Press reset button for 10 seconds to reboot the speaker. Before commencing any electrical work ensure the supply is switched OFF at the mains.

Q: Can the speaker be installed into the bathroom ceiling.

A: The IP rated models 'LBT2/IP' can be installed in zone 2 or 3 of a bathroom. Ensure you read the safety precautions on page 1 before installation. **Warning:** Do not use the product in water or directly above the bath or shower area.

For further queries and support questions please visit www.litheaudio.com/support

REGULATION INFORMATION

FCC EMC COMPLIANCE INFORMATION: This device complies with Part 15 of the FCC Rules. Its operation is subject to the following two conditions: (1) This device may not cause interference; and (2) This device must accept any interference received, including interference that may cause undesired operation of the device. Contains FCC ID: 2AQOBLBT2

EUROPE

LitheAudio declares that this product herewith complies with the requirements of the EMC Directive 2004/108/EC, Low Voltage directive 2006/95/EC, Eco-Design Directive 2005/32/EC, RoHS Directive 2011/65/EU and the R&TTE Directive 1999/5/EC when installed and used in accordance with the manufacturer's instructions. A copy of the full Declaration of Conformance may be obtained at www.litheaudio.com/support/policies.

Lithe Audio Speakers have a standby mode or remove the power cord from the AC mains.

RECYCLING INFORMATION

This symbol on the product or on its packaging indicates that this product shall not be treated as household waste.

Instead please deliver it to the applicable collection point for the recycling of electrical and electronic equipment. By recycling this product correctly, you will help conserve natural resources and prevent potential negative environmental consequences. For more detailed information about recycling of this product, please contact your local council office, your household waste disposal service or the shop where you purchased the product(s) from.

ADVERTENCIA DE INSTALACION:

Aantes de comenzar cualquier tipo de trabajo eléctrico y con el fin de evitar riesgo de descarga eléctrica, ubique y retire el fusible o bloquee el disyuntor en la posición **APAGADO** antes de continuar. El cableado con la alimentación encendida puede provocar lesiones personales graves, incendio o incluso la muerte.

ADVERTENCIA: Si no está seguro sobre alguna parte de estas instrucciones, consulte a un electricista.

Información importante sobre código de notas: Antes de usar e instalar, lea completamente las instrucciones de seguridad e instálole y/o uselo de acuerdo con todos los códigos y regulaciones eléctricos locales y nacionales.

Interruptor: debera proporcionar protección adecuada contra cortocircuitos y sobrecargas en el panel de distribución. Se puede usar hasta un disyuntor / MCB máximo de 10 A (con una capacidad de interrupción de cortocircuito adecuada para su instalación) si se usa junto con un circuito de iluminación, o un circuito dedicado para altavoces, se puede usar un disyuntor / MCB máximo de 3 A .

Si la unidad se va a utilizar como reemplazo de un producto existente, retire la unidad existente de su ubicación y desconecte el cableado. Conecte los cables como se muestra en el diagrama. Asegúrese de que los terminales estén bien sujetos y que no hay cables pelados visibles. Al colocar el altavoz en el techo, asegúrese de que no haya cables atrapados.

Nota: Para cumplir con el código NEC en este tipo de instalaciones, deberá comunicarse con su contratista local según los códigos eléctricos locales y nacionales, visite www.litheaudio.com/USA-wiring para obtener las últimas guías / actualizaciones de instalación.

LEA LAS INSTRUCCIONES CUIDADOSAMENTE ANTES DE COMENZAR EL PROCESO DE INSTALACIÓN Y MANTÉNGALAS A SALVO PARA FUTURAS REFERENCIAS.

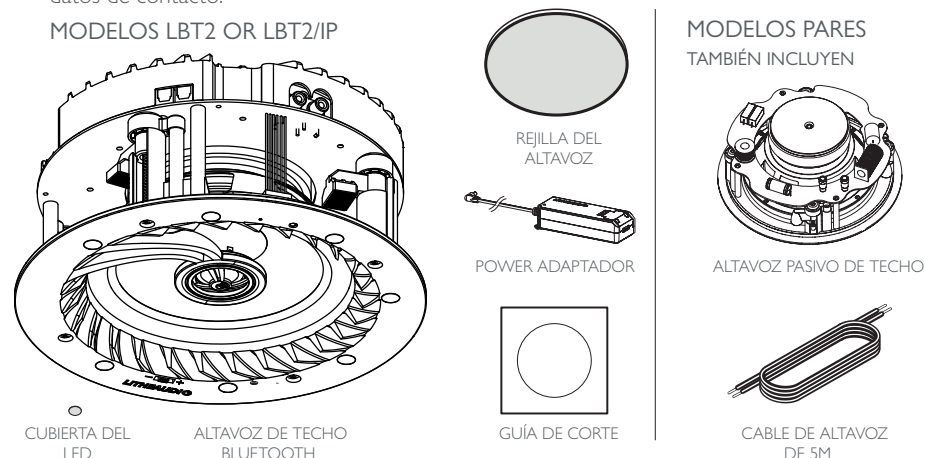
- Si no se siguen las instrucciones de esta guía se anulan todas las garantías de los altavoces.
- Advertencia: No utilice el producto en el agua.
- Advertencia: No instale el altavoz directamente encima de ninguna fuente de calor como radiadores u otros aparatos que produzcan calor.
- Advertencia: Para reducir el riesgo de incendio o descarga eléctrica, no exponga este altavoz a la lluvia o la humedad (directamente sobre el área de la bañera o la ducha) o en la zona de baño 0 o zona 1.
- Proteja el cable de alimentación para que no se dañe, no lo estire demasiado.
- Utilice únicamente los accesorios especificados por el fabricante Lithe Audio.
- Apague el altavoz cuando no se utilice durante largos períodos de tiempo.
- Una capucha fuego-retardante y acústica para altavoces debe ser usada de acuerdo con todos los códigos y regulaciones eléctricos locales y nacionales.
- No abra la tapa trasera del altavoz ya que esto protege el PCB, al hacerlo se invalidará la garantía y podría causar una descarga eléctrica.
- Asegúrese de que la ubicación de los altavoces esté libre de obstrucciones como conductos eléctricos, conductos de calefacción, ventilación y aire acondicionado o líneas de agua.

CONTENIDO DE LA CAJA

Por favor, asegúrese de leer todo el manual de instrucciones cuidadosamente antes de comenzar cualquier trabajo. Desembale cuidadosamente los altavoces del embalaje. Por favor, compruebe que todas las piezas que se muestran a continuación están incluidas.

Si alguna de las piezas del altavoz parece estar dañada, póngase en contacto con su distribuidor/ revendedor inmediatamente o póngase en contacto con info@litheaudio.com para obtener los datos de contacto.

MODELOS LBT2 OR LBT2/IP



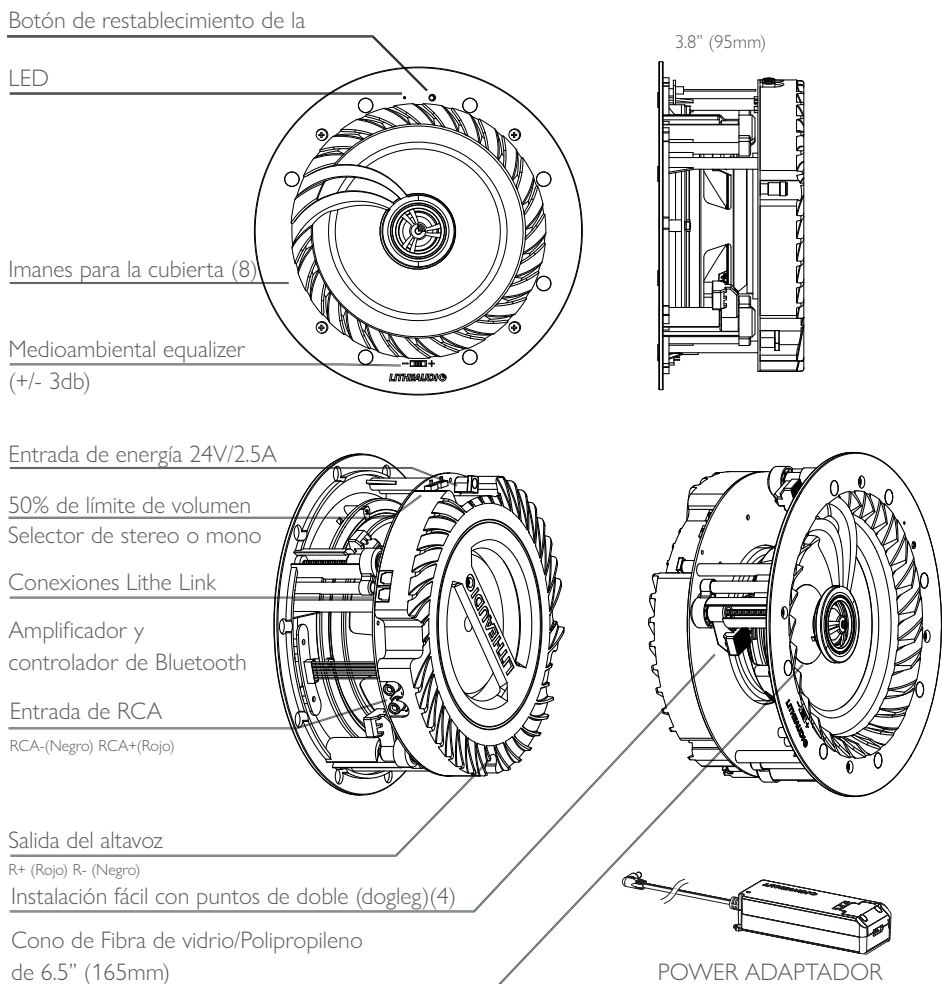
PREPARACIÓN EQUIPO QUE NECESITARÁ

A continuación se enumerará el hardware necesario para instalar el altavoz, con la adición de una escalera para asegurar que la instalación se haga de forma segura. En la caja está incluida una plantilla de corte.



CONOZCA A SU ALTAVOZ

La gama Lithe Audio LBT2 de altavoces inalámbricos de techo Bluetooth tiene varias entradas:
SALIDA DE ALTAVOCES - Para conectar un altavoz pasivo adicional (esclavo) (chapado en oro)
LITHE-LINK™ - Conecta 2 altavoces LBT adicionales (Total 3 maestros y 3 pasivos) **ENTRADAS RCA** - Para conectar directamente desde la salida de la TV, el punto de eco de Amazon, el reproductor de DVD, etc...
ENTRADA DE ENERGÍA - Para conectar (como se suministra) el transformador



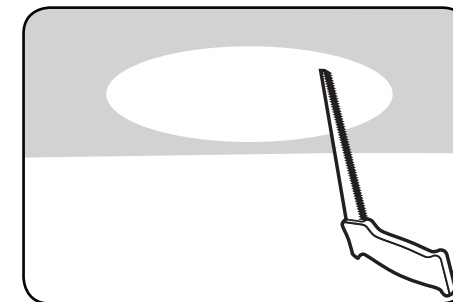
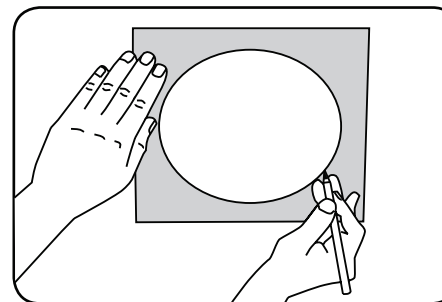
En la protección de sobretensión, subtenión, sobretemperatura y cortocircuito, si hay un fallo eléctrico, la fuente de alimentación del amplificador se cortará automáticamente y se reiniciará cuando el altavoz se haya estabilizado.

LITHEAUDIO
ALTAVOZ DE TECHO BLUETOOTH

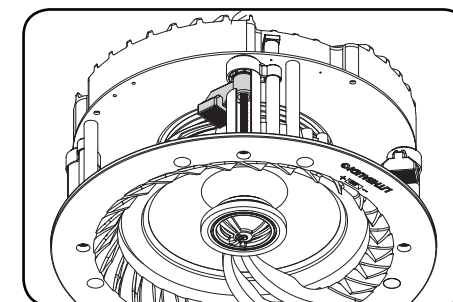
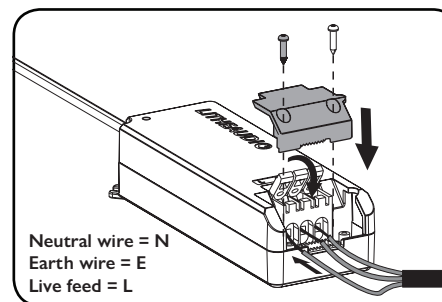
INSTALACIÓN

IMPORTANTE: ANTES DE COMENZAR CUALQUIER TRABAJO ELÉCTRICO ASEGÚRESE DE QUE EL SUMINISTRO ESTÁ APAGADO EN LA RED. SI NO ESTÁ SEGURO DE CÓMO ENCAJAR, BUSQUE LA AYUDA DE UN ELECTRICISTA O INSTALADOR PROFESIONAL

1. Marque la posición del altavoz con una cinta métrica y márkela con un lápiz con la plantilla suministrada. Revise con un buscador de vigas para asegurarse de que no hay ninguna obstrucción antes de cortar.
2. Taladrar un agujero piloto y cortar el agujero del altavoz con una sierra de corte. Tenga cuidado al cortar para mantener los dedos alejados de la cuchilla de corte y use gafas protectoras.



3. Conecte una alimentación de 110 V/240 V al controlador de alimentación. Verifique que los cables Vivo, Neutro y Tierra estén en las terminales correctas. Utilice agujeros de fijación para atornillar a las vigas. Asegúrese de que los cables estén apretados y que la cubierta esté en su lugar.
4. Inserte el altavoz en el techo y luego use un destornillador para bloquear las 4 fijaciones de la pata de perro para asegurar



PPINTANDO LA REJILLA DEL ALTAVOZ

No pinte las rejillas de los altavoces mientras esté conectado al altavoz. Lithe Audio recomienda pintar con spray usando 5 partes de diluyente por 1 parte de pintura. Pulveriza un poco para asegurar que los agujeros de la rejilla de la cubierta del altavoz no estén bloqueados, ya que esto afectará a la calidad del sonido de los altavoces.

INSTALACIONES EN TECHOS IGNÍFUGOS

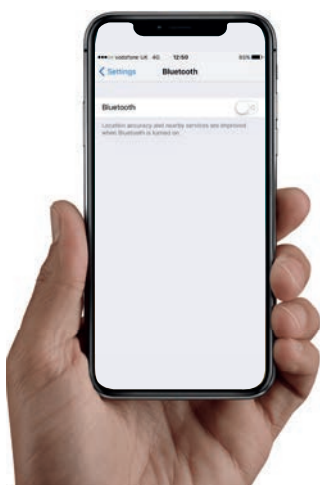
Si planea montar los altavoces en un techo ignífugo, debe comprar una capucha ignífuga para el altavoz. Visite www.litheaudio.com para obtener más información y las capuchas recomendadas.

CONFIGURACIÓN Y EMPAREJAMIENTO

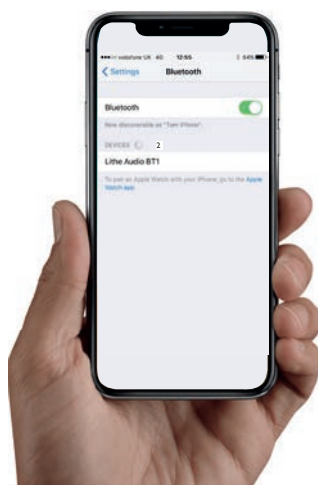
NOTA: ASEGÚRESE DE QUE EL ALTAVOZ INALÁMBRICO BLUETOOTH ESTÉ CONECTADO A LA FUENTE DE ALIMENTACIÓN Y ENCENDIDO.

El indicador Led parpadeará en azul cuando esté listo para emparejarse, se convertirá en azul sólido mientras el dispositivo esté conectado al altavoz y se esté reproduciendo música.

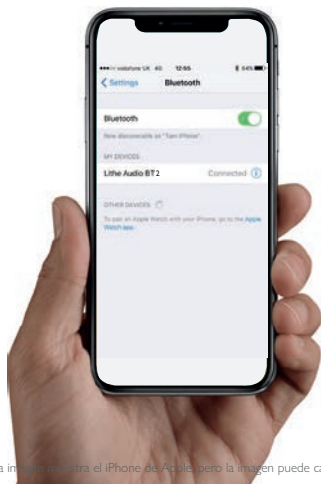
1. Abra el menú de configuración y seleccione Bluetooth



2. Encienda el Bluetooth y los dispositivos de búsqueda



3. Haga clic en Audio BT2 para conectar y emparejar el altavoz.



4. Abre la cámara del teléfono y escanea el siguiente código QR y luego descarga la aplicación de configuración para cambiar el nombre del altavoz o añadir un pin



APLICACIÓN DE CONFIGURACIÓN DE BLUETOOTH

¿Tiene varios altavoces en casa? Utiliza esta aplicación para configurar e identificar fácilmente cada altavoz dándole a cada uno un nombre único y si quieres dale una contraseña. También puedes configurar para que el altavoz funcione con Amazon Alexa, Google home o la televisión de forma inalámbrica. Para más información visita:



www.litheaudio.com/bluetooth-5-setup-app.html

ENTRADA DE CABLE DURO

ENTRADA RCA

Para conectar otros dispositivos que pueden no tener una conexión Bluetooth (como mesas giratorias, reproductores de CD, mp4 o mini-discos!)

CONEXIÓN RCA: Para reproducir música a través de la conexión RCA del altavoz, conecte un cable RCA al altavoz y reproduzca a través del dispositivo. Asegúrate de que TODAS las conexiones Bluetooth estén desactivadas para poder reproducir a través del altavoz. El LED se pondrá verde cuando se reproduzca usando RCA.

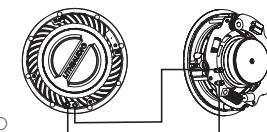
MODOS DE REPRODUCCIÓN

Para alternar entre los modos de reproducción, presione el "Botón de conexión" debajo de la parrilla para cambiar el modo entre ellos.

1. MODO AUTOMÁTICO: (Azul intermitente) RCA es prioridad, luego Bluetooth y luego Óptico.
2. MODO SOLO BLUETOOTH: (Azul intermitente): RCA y Óptico están deshabilitados
3. MODO SÓLO RCA: (Verde parpadearante): Bluetooth y Óptico están deshabilitados
4. MODO ÓPTICO: (Azul continuo): Bluetooth y RCA están deshabilitados.

ALTAVOZ ADICIONAL

OPCIONAL - SPEAKER NOTA: LBT2 NO INCLUYE EL ALTAVOZ PASIVO



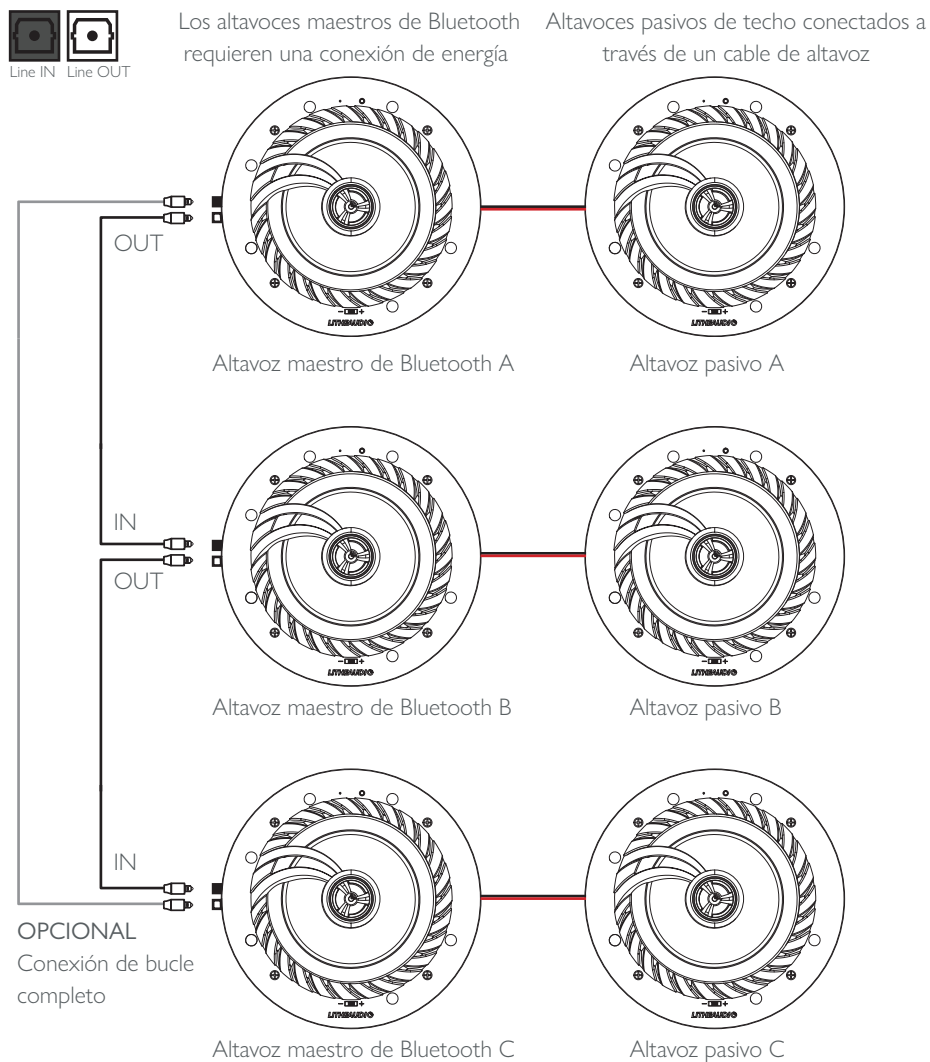
El altavoz de techo Bluetooth Lithe Audio Master es capaz de conectar y alimentar un altavoz pasivo adicional a través del altavoz out-put (+/-). Utilice cortadores de cables para pelar los extremos del cable del altavoz (si es necesario). Esta configuración es ideal para los comedores de la cocina o habitaciones más grandes donde se quiere un verdadero equipo de música.

WWW.LITHEAUDIO.COM

LITHE-LINK™ CONFIGURACIÓN

Para habitaciones más grandes o de planta abierta, la función Lithe-link le permitirá conectar hasta 3 altavoces maestros y sus pasivos/esclavos y reproducir el audio de todos los altavoces a la vez. Dependiendo del altavoz maestro que conectes y de cómo estén cableados los altavoces determinará cuántos altavoces se reproducirán.

Para conectar los altavoces necesitarás un cable óptico. El kit Lithe-Link se vende por separado. Conecte un extremo al bloque conector blanco y el otro al bloque conector negro.



CONFIGURACIÓN CON CONEXIÓN DE BUCLE COMPLETO

Añadiendo una conexión entre el primer y el último altavoz maestro se creará un sistema de bucle completo. Cuando se conecta cualquier altavoz maestro al que se conecta, todos los maestros y sus altavoces pasivos se reproducirán, lo que asegurará que en una habitación grande siempre se esté en el rango de un altavoz al que conectarse.

Esta configuración es ideal para habitaciones de planta abierta donde siempre quieres que todos los

CONFIGURACIÓN CON UNA CONEXIÓN DE BUCLE COMPLETA

Esta configuración le permitirá reproducir sólo el altavoz al que se conecta y los maestros y pasantes se conectan después de él con el cable de enlace. Por ejemplo, si tienes una configuración de 6 altavoces y te conectas al altavoz A, se reproducirán los altavoces A, B y C. Si te conectas al altavoz B, sólo se reproducirán los altavoces B y C. Si te conectas al altavoz C, sólo se reproducirá el altavoz C.

Esta configuración es ideal para una planta con múltiples áreas o habitaciones donde no siempre se quiere suene en toda el área a la vez.

LITHE-LINK OPCIONES DE CONFIGURACIÓN DEL ALTAVOZ

<p>3 CONFIGURACIÓN DE ALTAVOCES</p> <p>Necesitará 2 altavoces maestros y 1 altavoz pasivo.</p> 	<p>4 CONFIGURACIÓN DE ALTAVOCES</p> <p>Necesitará 2 altavoces maestros y 2 altavoces pasivos.</p> 
<p>5 CONFIGURACIÓN DE ALTAVOCES</p> <p>Necesitará 3 altavoces maestros y 2 altavoces pasivos.</p> 	<p>6 CONFIGURACIÓN DE ALTAVOCES</p> <p>Necesitará 3 altavoces maestros y 3 altavoces pasivos.</p> 

Nota: Los cables y los aisladores del bucle de tierra no están incluidos

SELECTOR DE MONO/ESTEREO

Si utiliza un altavoz pasivo secundario puede seleccionar si la música se reproduce en estéreo (canales izquierdo y derecho) o en Bridged Mono (un solo canal). Utilice el interruptor en la parte posterior del altavoz para seleccionar la salida estéreo o mono.

INTERRUPTOR DE LÍMITE DE VOLUMEN

Si se instala en una habitación de hotel o en un espacio comercial, puede que desee limitar el volumen al 50%. Usando el interruptor de limitación de volumen en la parte posterior del altavoz puede seleccionar una salida de volumen máxima del 100% o del 50%.

CUBIERTA DEL INDICADOR DE LEDS

incluido Para enmascarar el indicador LED, use la pegatina de la cubierta del LED que se incluye

BOTÓN DE RESTABLECIMIENTO DE LA CONEXIÓN

Mantenga presionado el 'Botón de Reinicio' durante 10 segundos para borrar la memoria de la conexión. Todos los dispositivos emparejados se borrarán.

ESPECIFICACIONES

- Calidad de sonido THD+N<0.009%, 55Hz-20kHz
- Potencia RMS: 50W RMS
- Impedancia: 8 Ohms
- Sensibilidad (1W/1m): 90dB
- Tasa de muestra de audio: 8Kh
- Line In Analog (RCA), auto-detectando
- Tipo: Clase D (Digital)
- Woofer: cono de polipropileno/fibra de vidrio de 6,5".
- Tweeter: Cono de titanio de 0.75".
- Sistema Bluetooth: Bluetooth 5.0
- Aptx - Baja Latencia
- Rango de frecuencia: 2.4GHz - 2.4832GHz (Banda ISM)
- Canales RF: 79 (EE.UU., Japón y UE)
- Alcance inalámbrico: Hasta 30 metros
- Nombre del dispositivo de identificación: Lithe Audio BT2
- Fuente de alimentación: 100 - 240V ~ 50/60Hz
- Suministro de salida del transformador : DC24V / 2.5A
- Dimensiones (ancho x profundidad) 230 x 97mm (6.5 x 3.8 in)
- Peso 1.75kg (3.85 lbs)
- Clasificación IP: IP44 (Modelo: LBT2/IP)
- Temperatura de funcionamiento 0° a 40° C (32° a 104° F)
- Temperatura de almacenamiento -20° a 70° C (4° a 158° F)
- Potencia de reserva: 1.3W / 0.02A
- Potencia conectada: 1.5W / 0.03A
- Reproduciendo música: 2.8W - 10.5W / 0.03A - 0.09A**

* Las especificaciones están sujetas a cambios sin previo aviso.

** El consumo de energía depende del tipo de música y del volumen - El aumento de los bajos y del volumen requiere una mayor carga de energía en el amplificador.

SOLUCIÓN DE PROBLEMAS

Si surge un problema, por favor, intente la guía de solución de problemas más frecuente que aparece a continuación. Si el problema no aparece en la lista, póngase en contacto con el Servicio de Atención al Cliente de Lithe Audio en support@litheaudio.com o llame al +44 (0) 1293 922 015 o visite support.litheaudio.com

P: No se ha encontrado el altavoz durante la configuración

R: Por favor, compruebe que el cable de alimentación está correctamente conectado al altavoz y al transformador; Compruebe que la luz azul está parpadeando. Presione el botón de reinicio durante 10 segundos para reiniciar el altavoz. Antes de comenzar cualquier trabajo eléctrico, asegúrese de que el suministro esté desconectado de la red eléctrica.

P: ¿Se puede instalar el altavoz en el techo del baño.

A: R: Los modelos con clasificación IP 'LBT2/IP' pueden ser instalados en la zona 2 o 3 de un baño. Asegúrese de leer las precauciones de seguridad de la página 1 antes de la instalación. Advertencia: No utilice el producto en el agua o directamente encima del área de la bañera o la ducha. Para más consultas y preguntas de apoyo, por favor visite www.litheaudio.com/support

INFORMACIÓN SOBRE LA REGULACIÓN

FCC

OBSERVAÇÃO: Este equipamento foi testado e está em conformidade com os limites de um dispositivo digital Classe B, segundo a parte 15 das Regras da FCC. (1) Este dispositivo não deve causar interferência prejudicial, e (2) este dispositivo deve aceitar todo tipo de interferência recebida, incluindo interferências que possam causar funcionamento indesejável.

EUROPA

Lithe Audio declara que este producto cumple con los requisitos de la Directiva EMC 2004/108/EC, la Directiva de Bajo Voltaje 2006/95/EC, la Directiva de Diseño Ecológico 2005/32/EC, la Directiva RoHS 2011/65/EU y la Directiva R&TTE 1999/5/EC cuando se instala y utiliza de acuerdo con las instrucciones del fabricante. Puede obtenerse una copia de la Declaración de Conformidad completa en www.litheaudio.com/support/policies.

Los altavoces de Lithe Audio tienen un modo de espera o bien retire el cable de alimentación de la red eléctrica.

INFORMACIÓN DE RECICLAJE

Este símbolo en el producto o en su embalaje indica que este producto no se tratará como basura doméstica. En su lugar, entréguelo en el punto de recogida correspondiente para el reciclaje de equipos eléctricos y electrónicos. Si recicla este producto correctamente, ayudará a conservar los recursos naturales y a prevenir posibles consecuencias negativas para el medio ambiente. Para obtener información más detallada sobre el reciclaje de este producto, póngase en contacto con la oficina municipal, el servicio de recogida de residuos domésticos o la tienda donde compró el producto.

AVERTISSEMENT D'INSTALLATION

Avant de commencer tout travail électrique pour éviter le risque de choc électrique, localisez et retirez le fusible ou verrouillez le disjoncteur en position **OFF** avant de continuer. Vérifiez que l'alimentation est coupée avant le câblage. Un câblage sous tension peut entraîner des blessures graves voire mortelles.

AVERTISSEMENT: Si vous n'êtes pas sûr de la moindre partie de ces instructions, veuillez consulter un électricien.

Codes de notes importantes: Avant utilisation, veuillez lire entièrement les instructions de sécurité et installer conformément à tous les codes électriques locaux et nationaux.

Vérifiez que l'alimentation est coupée avant le câblage.

Disjoncteur: Une protection appropriée contre les courts-circuits et les surcharges doit être fournie au niveau du panneau de distribution. Un disjoncteur / MCB jusqu'à 10 A maximum peut être utilisé (avec une capacité de coupure adéquate pour votre installation) s'il est utilisé en conjonction avec un circuit d'éclairage, OU un circuit dédié pour les haut-parleurs, un disjoncteur / MCB de 3 A maximum peut être utilisé. Si l'unité doit être utilisée en remplacement d'un produit existant, retirez l'unité existante de son emplacement et débranchez le câblage. Connectez les fils comme indiqué sur le schéma. Assurez-vous que les bornes sont correctement serrées et qu'aucun fil dénudé n'est visible. Lors de l'installation de l'enceinte au plafond, assurez-vous qu'aucun fil n'est coincé. Remarque: Pour respecter le code NEC pour ces types d'installations, vous devrez contacter votre entrepreneur local conformément aux codes électriques locaux et nationaux, veuillez visiter www.litheaudio.com/USA-wiring pour les derniers guides / mises à jour d'installation.

LISEZ ATTENTIVEMENT LES INSTRUCTIONS AVANT DE COMMENCER LE PROCESSUS D'INSTALLATION ET CONSERVEZ-LES EN LIEU SÛR POUR POUVOIR VOUS Y RÉFÉRER ULTÉRIEUREMENT.

- Le non-respect des instructions de ce guide annule toute garantie sur vos enceintes.
- Avertissement : Ne pas utiliser le produit dans l'eau
- Avertissement : N'installez pas le haut-parleur directement au-dessus d'une source de chaleur telle qu'un radiateur ou tout autre appareil produisant de la chaleur.
- Avertissement : Pour réduire le risque d'incendie ou de choc électrique, n'exposez pas ce haut-parleur à la pluie ou à l'humidité (directement au-dessus de la baignoire ou de la douche) ou dans la zone 0 ou la zone I de la salle de bain.
- Protégez le câble d'alimentation pour éviter qu'il ne soit endommagé, ne l'étirez pas trop.
- N'utilisez que les accessoires spécifiés par le fabricant Lithe Audio.
- Coupez l'alimentation du haut-parleur lorsqu'il n'est pas utilisé pendant de longues périodes.
- Un capot de haut-parleur Fire and Acoustic doit être utilisé conformément à la réglementation en matière de construction et d'EEI, avec un indice de résistance au feu allant jusqu'à 60 minutes, et devrait être conforme les codes électriques locaux et nationaux.
- N'ouvrez pas le capot arrière du haut-parleur car cela protège le circuit imprimé, ce qui annulerait la garantie et pourrait provoquer un choc électrique.
- Assurez-vous que l'emplacement du haut-parleur est exempt d'obstructions telles que des conduits

LITHEAUDIO

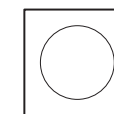
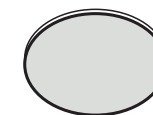
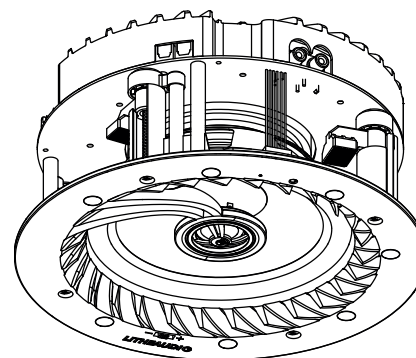
BLUETOOTH* HAUT-PARLEUR DE PLAFOND

CONTENU DE LA BOITE

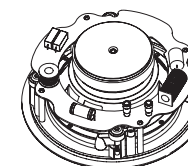
Veuillez vous assurer de lire attentivement l'ensemble du manuel d'instructions avant de commencer tout travail. Déballez soigneusement les haut-parleurs de leur emballage. Veuillez vérifier que toutes les pièces indiquées ci-dessous sont incluses.

Si l'une des pièces du haut-parleur semble endommagée, veuillez contacter immédiatement votre concessionnaire/revendeur ou contacter info@litheaudio.com pour obtenir des coordonnées. Vous trouverez ci-dessous la liste du matériel nécessaire à l'installation du haut-parleur, avec l'ajout d'une échelle pour garantir que l'installation se fasse en toute sécurité. Un gabarit de découpe est inclus dans la boîte.

MODEL LBT2 OR LBT2/IP



PAIR MODELS
ALSO INCLUDE



PRÉPARATION ÉQUIPEMENT DONT VOUS AUREZ BESOIN



CRAYON



TENAILLE



TOURNEVIS



SCIE À DÉCOUPER



RUBAN POUR LUNETTES DE PROTECTION



BANDE DE MESURE



FOREUSE



COUPE-CÂBLES POUR HAUT-PARLEURS



WWW.LITHEAUDIO.COM

CONNAÎTRE VOTRE HAUT-PARLEUR

La gamme Lithe Audio LBT2 de haut-parleurs de plafond sans fil Bluetooth dispose de diverses entrées :

- SORTIE PARLEUR** - Pour connecter un haut-parleur passif (Slave) supplémentaire (plaqué or)
- LITHE-LINK™** - Pour connecter 2 haut-parleurs LBT supplémentaires (3 maîtres et 3 passifs au total)
- ENTRÉES RCA** - Pour connecter directement la sortie TV, Amazon echo dot, lecteur DVD etc.
- ENTRÉE D'ALIMENTATION** - Pour connecter le transformateur (tel qu'il est fourni)

Bouton de réinitialisation

Requiert une profondeur de plafond de

LED

Aimants pour couvercle

Égalisateur environnemental
(+/- 3db)

Alimentation 24V/2,5A

50 % de plafonnement
du volumes

Les connexions de Lithe Link

Séréo / en pont
Sélecteur mono

Entrée RCA

RCA-(Noir) RCA+(Rouge)

Amplificateur intégré
et conducteur Bluetooth

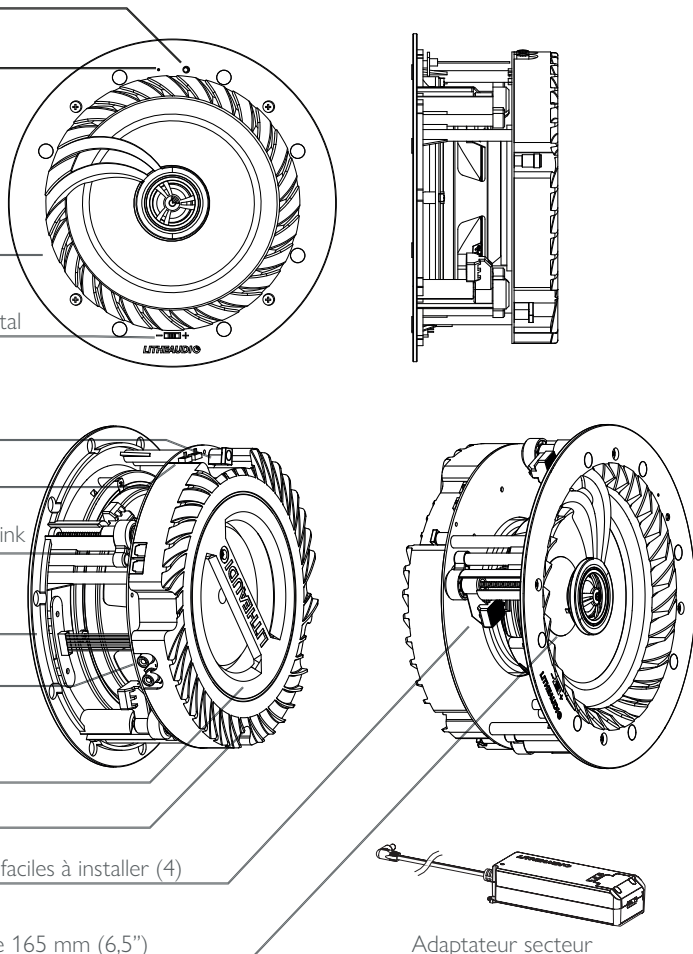
Sortie du haut-parleur

R+ (Rouge) R- (Noir)

Fixations pattes de chien faciles à installer (4)

Cône en Polypropylène de 165 mm (6,5")

Adaptateur secteur



En cas de surtension, de sous-tension, de surchauffe et de protection contre les courts-circuits, l'alimentation électrique de l'amplificateur est coupée automatiquement et redémarre lorsque le haut-parleur s'est stabilisé.

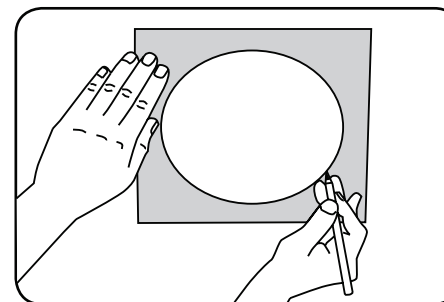
LITHEAUDIO

HAUT-PARLEURS MAÎTRES BLUETOOTH

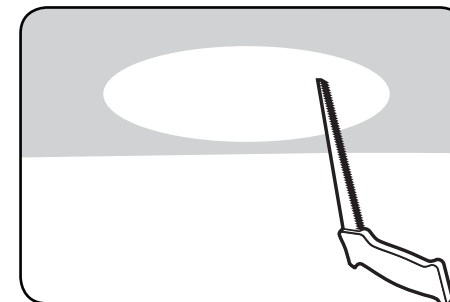
INSTALLATION

IMPORTANT : AVANT DE COMMENCER TOUT TRAVAIL ÉLECTRIQUE, ASSUREZ-VOUS QUE L'ALIMENTATION EST COUPÉE SUR LE SECTEUR. SI VOUS N'ÊTES PAS SÛR DE SAVOIR COMMENT INSTALLER, DEMANDEZ L'AIDE D'UN ÉLECTRICIEN/INSTALLATEUR PROFESSIONNEL

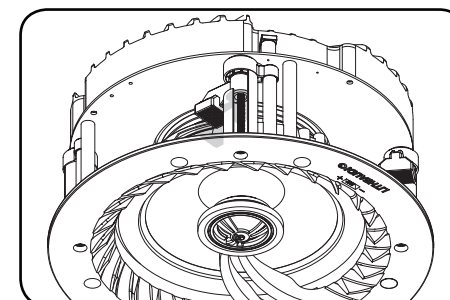
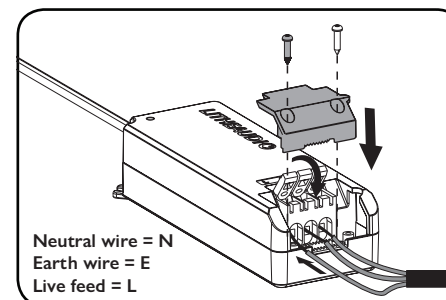
1. Marquez la position du haut-parleur à l'aide d'un mètre ruban et marquez au crayon avec le modèle fourni. Avant de couper, vérifiez à l'aide d'un détecteur de goujons qu'il n'y a pas d'obstruction.



2. Percez un trou pilote et découpez le trou du haut-parleur à l'aide d'une scie. Faites attention en coupant de ne pas mettre les doigts en contact avec la lame de coupe et portez des lunettes de protection.



3. Connectez une alimentation 110V/240V au Power Driver. Vérifiez que les câbles sous tension, neutre et terre sont dans les bornes correctes. Utilisez les trous de fixation pour visser aux solives. Assurez-vous que les câbles sont bien serrés et que le couvercle est en place.



PEINTURE DE LA GRILLE DES HAUT-PARLEURS

Ne peignez pas les grilles des haut-parleurs lorsqu'elles sont fixées au haut-parleur. Lithe Audio recommande de peindre au pistolet en utilisant 5 parts de diluant pour diluer la peinture. Vaporisez en fine couche pour vous assurer que les trous des grilles des haut-parleurs ne sont pas bouchés, car cela affecterait la qualité sonore des haut-parleurs.

LES INSTALLATIONS DANS LES PLAFONDS COUPE-FEU

Si vous prévoyez d'installer vos haut-parleurs dans un plafond coupe-feu, vous devez acheter une hotte anti-feu pour le haut-parleur. Consultez le site www.litheaudio.com pour plus d'informations et les hottes recommandées.

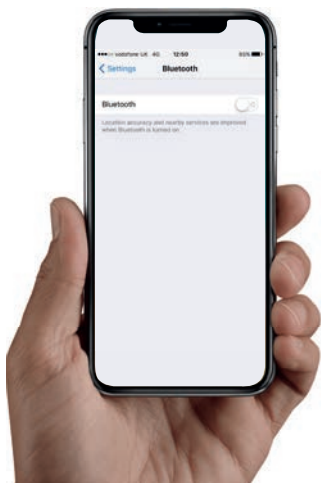
WWW.LITHEAUDIO.COM

MISE EN PLACE ET APPARIEMENT

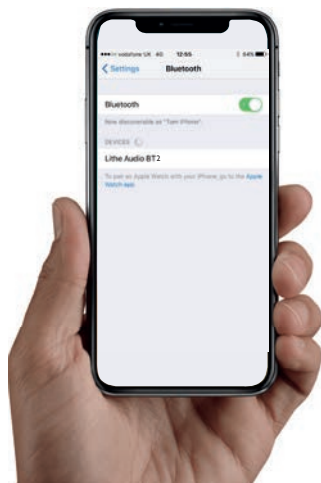
NOTE : ASSUREZ-VOUS QUE LE HAUT-PARLEUR SANS FIL BLUETOOTH EST CONNECTÉ À L'ALIMENTATION ÉLECTRIQUE ET ALLUMÉ.

Le voyant LED clignote en bleu lorsque l'appareil est prêt à être appairé ; il devient bleu fixe lorsque l'appareil est connecté au haut-parleur et que de la musique est diffusée.

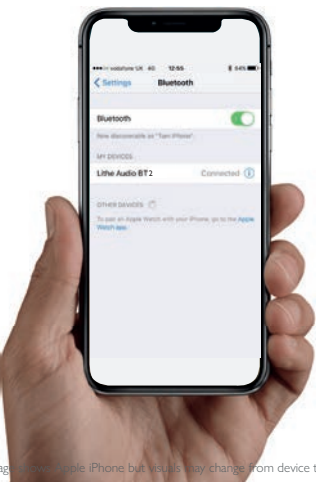
1. Ouvrez le menu de paramétrage et sélectionnez Bluetooth



2. Activer le Bluetooth et rechercher des appareils



3. Cliquez sur Lithe Audio BT2 pour vous connecter et vous appairer au haut-parleur



4. Ouvrez l'appareil photo de votre téléphone et scannez le code QR. ci-dessous, puis téléchargez l'application de configuration pour changer le nom du haut-parleur ou ajouter un pin :



APPLICATION DE CONFIGURATION BLUETOOTH

Vous avez plusieurs haut-parleurs dans la maison ? Utilisez cette application pour configurer et identifier facilement chaque haut-parleur en lui donnant un nom unique et, si vous le souhaitez, un mot de passe. Vous pouvez également configurer le haut-parleur pour qu'il fonctionne avec Amazon Alexa, Google home ou des téléviseurs sans fil. Pour plus d'informations, visitez le site:



www.litheaudio.com/bluetooth-5-setup-app.html

ENTRÉE CÂBLÉE- RCA

Pour connecter d'autres appareils qui peuvent ne pas avoir de connexion Bluetooth RCA+(Red) (tels que les tables tournantes, les lecteurs CD, les lecteurs mp4 ou les mini-disques !)

CONNEXION RCA : écouter de la musique via la connexion RCA du haut-parleur connecter un câble RCA au haut-parleur et jouer via votre appareil. Assurez-vous que TOUTES les connexions Bluetooth sont désactivées pour pouvoir jouer via le haut-parleur Le voyant s'allume en vert lorsque vous jouez en utilisant RCA.

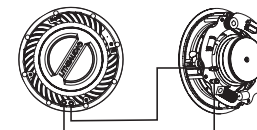
MODES DE LECTURE

Pour passer d'un mode de lecture à l'autre, appuyez sur le « bouton de connexion » sous le gril pour changer le mode entre eux.

1. MODE AUTOMATIQUE : (Bleu clignotant) RCA est prioritaire, puis Bluetooth puis Optique.
2. MODE BLUETOOTH UNIQUEMENT : (bleu clignotant) : RCA et optique sont désactivés
3. MODE RCA UNIQUEMENT : (vert clignotant) : Bluetooth et optique sont désactivés
4. MODE OPTIQUE : (Bleu uni) : Bluetooth et RCA sont désactivés.

HAUT-PARLEUR SUPPLÉMENTAIRE - FACULTATIF

VEUILLEZ NOTER : LBT N'INCLUT PAS LE HAUT-PARLEUR PASSIF



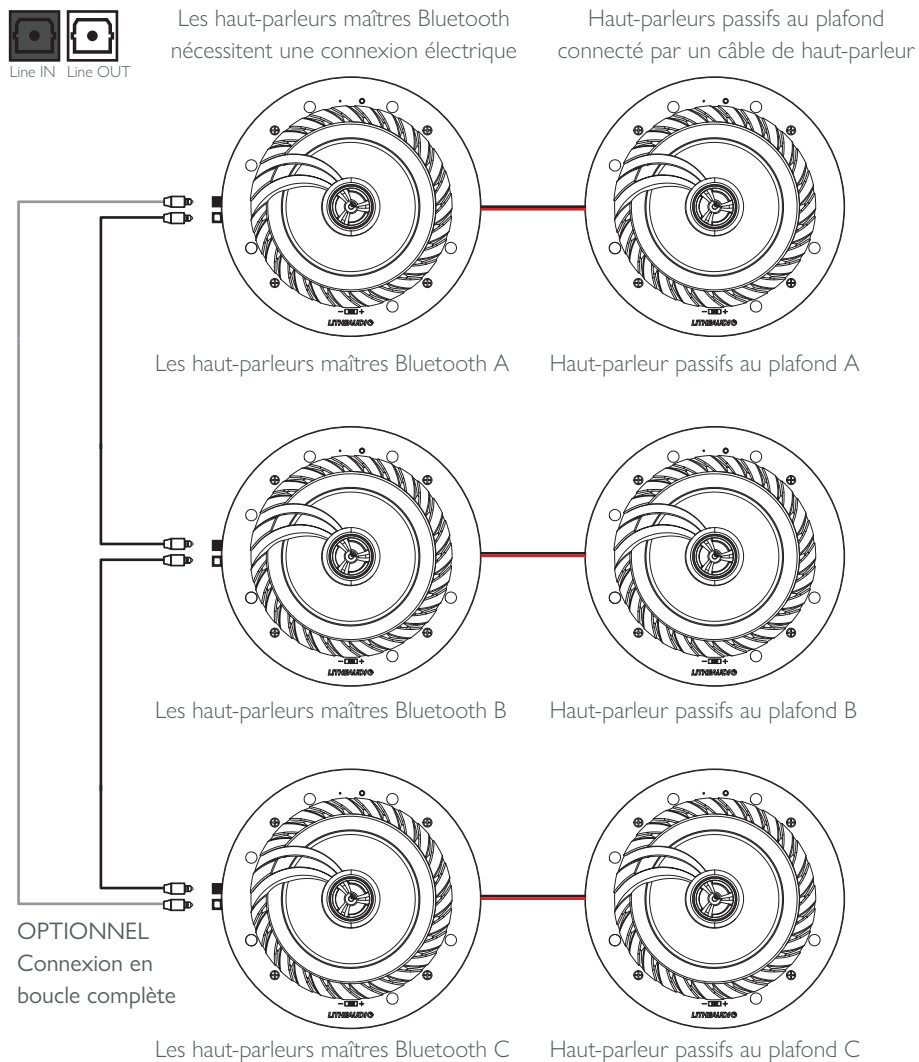
Le haut-parleur de plafond Bluetooth Lithe Audio Master est capable de se connecter à un haut-parleur passif supplémentaire et de l'alimenter via la sortie du haut-parleur (+/-). Utilisez des coupe-fils pour dénuder les extrémités du câble du haut-parleur (si nécessaire).

Cette installation est idéale pour les cuisines ou les grandes pièces où vous souhaitez une véritable installation stéréo.

MISE EN PLACE DU LITHE-LINK™

Pour les salles plus grandes ou ouvertes, la fonction Lithe-link vous permettra de connecter jusqu'à 3 haut-parleurs principaux et leurs passifs et de diffuser le son de tous les haut-parleurs en même temps. En fonction du haut-parleur principal auquel vous vous connectez et de la manière dont les haut-parleurs sont câblés, le nombre de haut-parleurs jouera

Pour connecter les haut-parleurs, vous aurez besoin d'un câble optique. Kit Lithe-Link vendu séparément. Connectez une extrémité au bloc connecteur blanc et l'autre au bloc connecteur noir.



INSTALLATION AVEC CONNEXION EN BOUCLE COMPLÈTE

L'ajout d'une connexion entre le premier et le dernier haut-parleur principal permettra de créer un système en boucle complète. Une fois connectés, quel que soit le haut-parleur maître auquel vous vous connectez, tous les maîtres et leurs haut-parleurs passifs joueront. Ainsi, dans une grande pièce, vous serez toujours à portée d'un haut-parleur auquel vous pourrez vous connecter. Cette configuration est idéale pour les salles ouvertes où vous voulez toujours que tous les haut-parleurs jouent en même temps.

INSTALLATION SANS CONNEXION EN BOUCLE COMPLÈTE

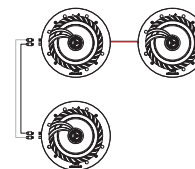
Cette configuration vous permettra de ne jouer que le haut-parleur auquel vous vous connectez et les maîtres et les passifs se connectent après avec le câble de liaison. Par exemple, si vous avez une configuration à 6 haut-parleurs et que vous vous connectez au haut-parleur A, alors les haut-parleurs A, B et C joueront. Si vous vous connectez au haut-parleur B, alors seuls les haut-parleurs B et C joueront.

Cette configuration est idéale pour un plan d'étage avec plusieurs zones ou pièces où vous ne souhaitez pas toujours faire jouer toute la zone en même temps.

HAUT-PARLEUR DE LIAISON, OPTIONS DE CONFIGURATION

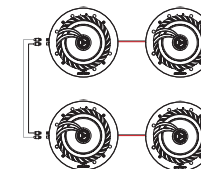
INSTALLATION DE 3 HAUT-PARLEURS

Vous aurez besoin de 2 haut-parleurs principaux et de 1 haut-parleur passif.



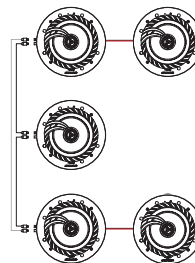
INSTALLATION DE 4 HAUT-PARLEURS

Vous aurez besoin de 2 haut-parleurs principaux et de 2 haut-parleurs passifs.



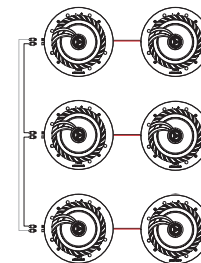
INSTALLATION DE 5 HAUT-PARLEURS

Vous aurez besoin de 3 haut-parleurs principaux et de 2 haut-parleurs passifs.



INSTALLATION DE 6 HAUT-PARLEURS

Vous aurez besoin de 3 haut-parleurs principaux et de 3 haut-parleurs passifs.



Remarque : Câbles et isolateurs de boucle de terre non inclus

SÉLECTEUR STÉRÉO / MONO

Si vous utilisez un haut-parleur passif secondaire, vous pouvez choisir si la musique est diffusée en stéréo (canaux gauche et droit) ou en monophonie pontée (canal unique). Utilisez l'interrupteur à l'arrière du haut-parleur pour sélectionner la sortie Stéréo ou Mono.

INTERRUPTEUR DE PLAFONNEMENT DU VOLUME

En cas d'installation dans une chambre d'hôtel ou un espace commercial, vous pouvez plafonner le volume à 50 %. En utilisant le bouton de plafonnement du volume situé à l'arrière de l'enceinte, vous pouvez sélectionner le volume maximal de sortie à 100 % ou à 50 %.

COUVERTURE DE L'INDICATEUR LUMINEUX

Pour masquer l'indicateur LED, utilisez l'autocollant de couverture LED fourni

BOUTON DE RÉINITIALISATION

Appuyez sur le bouton "Reset" et maintenez-le enfoncé pendant 10 secondes pour effacer la mémoire de connexion. Tous les appareils appairés seront effacés. DE LA CONNEXION

SPÉCIFICATIONS

- Qualité sonore THD+N<0,009%, 55Hz-20kHz
 - Puissance RMS : 50W RMS
 - Impédance : 8 Ohms
 - Sensibilité (IV/Im) : 90dB
 - Fréquence d'échantillonnage audio : 8Khz
 - Line In Analog (RCA), auto-détection
 - Type : Classe D (numérique)
 - Woofer : 6.5" Woven /
 - Cône en polypropylène
 - Tweeter : Cône en titane de 0,75
 - Système Bluetooth : Bluetooth 5.0
 - Aptx - Faible latence
 - Gamme de fréquences : 2,4GHz - 2,4832GHz (bande ISM)
 - RF Channels : 79 (États-Unis, Japon et UE)
 - Gamme sans fil : Jusqu'à 30 mètres
 - ID Nom de l'appareil : Lithe Audio BT2
 - Alimentation électrique : 100 - 240V ~ 50/60Hz
 - Alimentation de la sortie du transformateur : DC24V / 2,5A
 - Dimensions (W x D) 230 x 97mm (6.5 x 3.8 in)
 - Weight 1,75kg (3.85 lbs)
 - La notation IP : IP44 (Modèle : LBT2/IP
 - Température de fonctionnement 0° à 40° C (32° à 104° F)
 - Température de stockage -20° à 70° C (4° à 158° F)
 - Alimentation de secours : 1.3W/0.02A
 - Puissance connectée : 1,5W / 0,03A
 - Musique : 2.8W - 10.5W/0.03A- 0.09A"
- Les spécifications peuvent être modifiées sans préavis.
 ** La consommation d'énergie dépend du type de musique et du volume - L'augmentation des basses et du volume nécessite une plus grande charge de puissance sur l'amplificateur.

DÉPANNAGE

Si un problème survient, veuillez essayer le guide de dépannage ci-dessous. Si le problème n'est pas répertorié, veuillez contacter le service clientèle de Lithe Audio à l'adresse support@litheaudio.com ou appelez le +44(0) 1293 922 015 ou visitez support.litheaudio.com

Q : Le haut-parleur n'a pas été trouvé lors de l'installation

R : Veuillez vérifier que le cordon d'alimentation est correctement branché au haut-parleur et au transformateur ; Vérifiez que la lumière bleue clignote. Appuyez sur le bouton de réinitialisation pendant 10 secondes pour redémarrer le haut-parleur

Avant de commencer tout travail électrique, assurez-vous que l'alimentation est coupée sur le secteur.

Q : Le haut-parleur n'a pas réussi à se connecter à Bluetooth

R : Veuillez réessayer le processus de configuration et de appairage, suivez les étapes de configuration I - 4 pour connecter l'appareil. Veuillez vous assurer que le mot de passe du haut-parleur est correctement saisi. Assurez-vous que l'appareil se trouve dans un rayon de 30 m. Si cela ne fonctionne pas, éteignez le haut-parleur ; attendez 20 secondes, puis rallumez et réessayez.

Q : Le haut-parleur peut-il être installé dans le plafond de la salle de bains ?

R : Les modèles classés IP "LBT2/IP" peuvent être installés dans la zone 2 ou 3 d'une salle de bain. Assurez-vous de lire les précautions de sécurité à la page 1 avant l'installation. Attention : N'utilisez pas le produit dans l'eau ou directement au-dessus de la baignoire ou de la douche.

Pour de plus amples informations et des questions d'assistance, veuillez consulter le site www.litheaudio.com/support

INFORMATIONS SUR LE RÉGLEMENT

FCC

REMARQUE : Cet appareil a été testé et reconnu compatible avec les limites des appareils numériques de classe B, en application de la section 15 des règles de la FCC.

(1) l'appareil ne doit pas produire de brouillage; (2) l'utilisateur de l'appareil doit accepter tout brouillage radioélectrique subi, même si le brouillage est susceptible d'en compromettre le fonctionnement.

EUROPE

LitheAudio déclare que ce produit est conforme aux exigences de la directive CEM 2004/108/CE, de la directive basse tension 2006/95/CE, de la directive sur l'éco-conception 2005/32/CE, de la directive RoHS 2011/65/UE et de la directive R&TTE 1999/5/CE lorsqu'il est installé et utilisé conformément aux instructions du fabricant. Une copie de la déclaration de conformité complète peut être obtenue à l'adresse suivante : www.litheaudio.com/support/policies.

Les haut-parleurs Lithe Audio ont un mode de veille ou débrancher le cordon d'alimentation du secteur.

INFORMATIONS SUR LE RECYCLAGE

Ce symbole sur le produit ou sur son emballage indique que ce produit ne doit pas être traité comme un déchet ménager. Veuillez plutôt le remettre au point de collecte approprié pour le recyclage des équipements électriques et électroniques. En recyclant correctement ce produit, vous contribuerez à préserver les ressources naturelles et à prévenir les éventuelles conséquences négatives sur l'environnement. Pour obtenir des informations plus détaillées sur le recyclage de ce produit, veuillez contacter votre mairie, votre service d'élimination des déchets ménagers ou le magasin où vous avez acheté le(s) produit(s).

This is a UK Guarantee.

For global warranty information contact your local distributor.

LITHEAUDIO®

2 YEAR GUARANTEE

This Ceiling Speaker is of excellent quality and construction. However, if any defects in materials or workmanship do appear during the guarantee period, we will, at our discretion, either repair or replace the defective parts, free of charge, subject to the terms and conditions of our Guarantee shown below.

This Guarantee covers both parts and labour. Carriage is not included.

This Guarantee provides benefits which are additional to, and do not affect, your statutory rights. This Guarantee does not cover the cost of returning the product to the dealer from whom it was purchased or to ourselves. This Guarantee applies only to products sold and located in mainland Great Britain. It does not cover liability in respect of or replacement of plugs, cables or fuses and also does not cover defects due to:

- Failure to use or maintain product in accordance with Lithe Audio instructions.
- The product being connected to an unsuitable electricity supply.
- Accidental damage to or abuse or misuse of the product.
- Product modification, except by Lithe Audio or approved agent.
- Dismantling of or interference with the product.

Before returning any product under this Guarantee, please check that:

- You have followed the product instructions correctly.
- Your mains electricity supply is functional.
- The defect is not due to a blown fuse.

If you wish to claim under this guarantee you should:

- Send the product, postage or carriage paid, to the dealer from whom it was purchased or to Lithe Audio direct.
- Ensure that the product is clean and packed carefully (preferably in its original carton).
- Enclose details of your name, address and telephone number and when and where the product was purchased, together with proof of purchase (e.g. a invoice or till receipt).
- Give exact details of the nature of the defect.

This Guarantee does not cover any other claims whatsoever, including, without limitation, any liability for incidental, indirect or consequential damage, nor does it cover any claims for conversion or modification or for the costs of repair carried out by any third party without the prior consent of Lithe Audio. If replacement parts are fitted to the product this will not extend the period of the Guarantee. For further advice contact the Lithe Audio customer services.



Lithe Audio products marked with the CE mark comply with the EC Low Voltage Directive: 73/23/EEC, Electromagnetic Compatibility Directive 89/336/EEC

WWW.LITHEAUDIO.COM

TEL: 01293 922 015 EMAIL: INFO@LITHEAUDIO.COM

